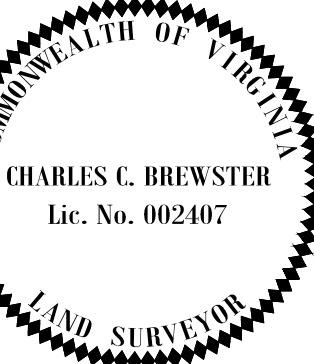
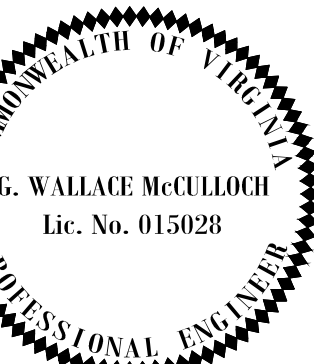




CITY OF
BRISTOL, VIRGINIA
300 LEE STREET
BRISTOL, VA 24201
(276) 645-7470

REVISIONS

DATE



WIDENING OF
LEE HIGHWAY
PHASE - 2
UPC 105753

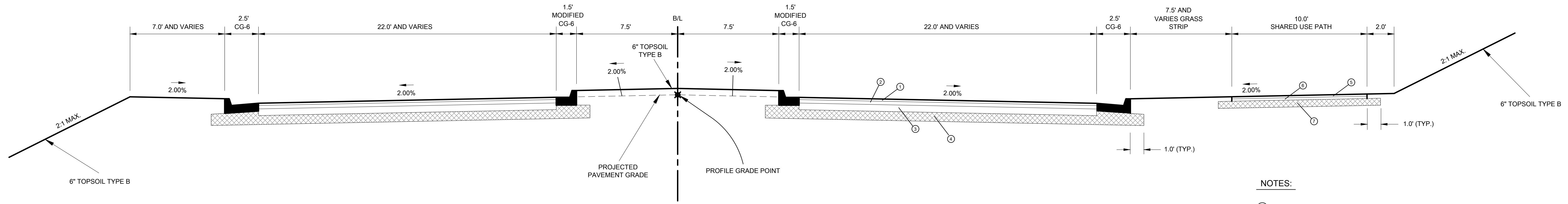
GENERAL
SPECIFICATIONS
AND DETAILS

DATE:
JULY 2017

DRAWING NO.
130-229

FILE NAME:
LEE HWY EXIT 5

SHEET NUMBER
3.2 OF 11

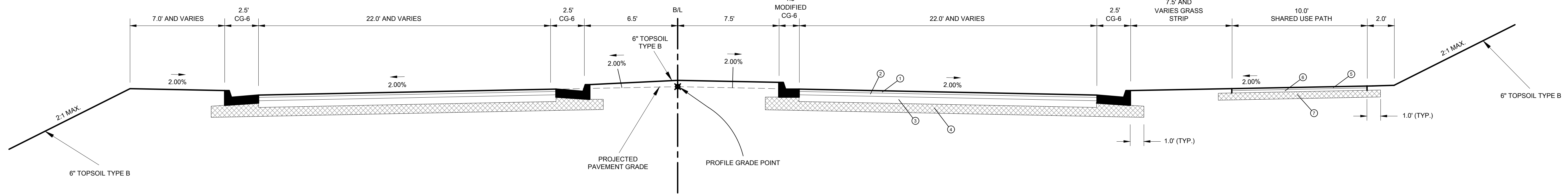


TYPICAL SECTION
LEE HIGHWAY

STA. 120+05 TO STA. 125+35
STA. 144+39 TO STA. 150+64
STA. 157+27 TO STA. 161+38

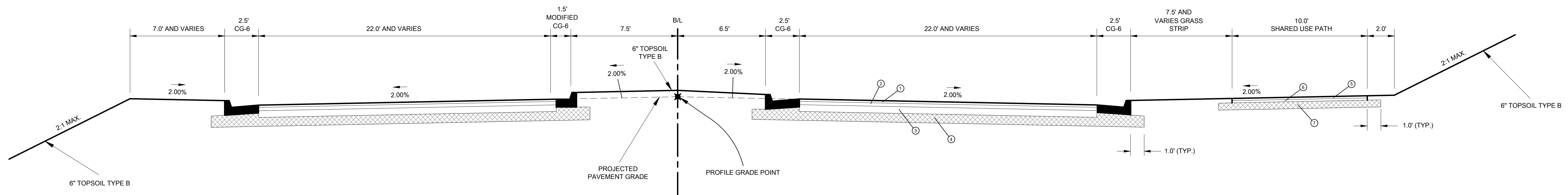
NOTES:

- ① SURFACE COURSE - 165 POUNDS PER SQ. YD. CONCRETE TYPE SM-12.5D
- ② INTERMEDIATE COURSE - 230 POUNDS PER SQ. YD. OF CONCRETE TYPE IM-19.0A
- ③ BASE COURSE - ASPHALT CONCRETE BASE COURSE TYPE BM-25.0A (8\"/>



TYPICAL SECTION
LEE HIGHWAY

STA. 125+35 TO STA. 144+39
STA. 161+38 TO STA. 163+48



TYPICAL SECTION
LEE HIGHWAY

STA. 150+64 TO STA. 157+27

* SEE SHEETS 5.1 THROUGH 5.10
FOR BACK OF CURB STATIONS AND OFFSETS